

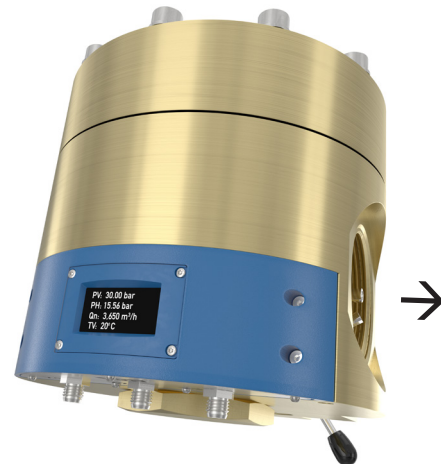
DOME PRESSURE REGULATOR SET 757 LE/S SMART



Complete solution, own-medium controlled, including smart features

High performance dome-loaded pressure regulator set for inline installation, combined with high-tech sensor technology and electronic components. The dome pressure regulator 757LE/S Smart can signal, for example, pressures, temperatures and an indication of the flow rate. These signals can be used to optimize performance, safety and maintenance regimes.

WITT dome pressure regulator technology is unique in the world as it offers maximum pressure constancy even at high and fluctuating flow rates or with small differences between inlet and outlet pressure. Now the dome pressure regulator 757LE/S is also available with smart functions: Important operating parameters can be displayed via 4-20 mA signals, enabling the gas supply to be monitored and optimised. Continuous data logging enables quality control and is an important step towards networked production.



Features of WITT dome pressure regulator technology

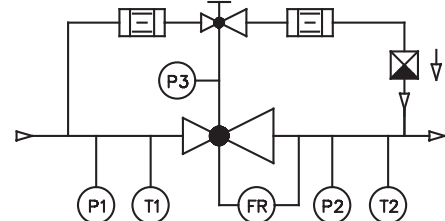
The extraordinary pressure constancy of WITT dome pressure regulators is the result of a complex technology consisting of perfectly matched components:

- **Pilot Control Tube (PCT)** one of the features enabling highly accurate control of outlet pressure
- **Balanced Seat Design (BSD)** further enabling control precision, high reliability and low maintenance
- A **complete solution**, ready to use with integrated pilot pressure regulator, completely assembled and tested
- **Own-medium controlled** enabling autonomous operation (no separate gas supply required)
- **Closed system** self-relieving design, but no gas is released to atmosphere

Smart Features

In the smart dome pressure regulator, temperature and pressure values are captured by high-tech sensors and transmitted via 4-20 mA signals. Depending on customer requirements, the following features are available individually or combined:

- Signaling and display of inlet pressure (P1) and outlet pressure (P2) in bar and temperature (T1 and T2) in °C
- Signaling and display of the pilot pressure (P3) in bar
- Indication of the instantaneous gas flow rate (FR) in Nm³/h



Model variations Smart	Features
"Standard"	Display, indication of inlet pressure and temperature as well as outlet pressure and temperature
"Standard + P3"	"Standard" features, plus indication of pilot pressure
"Standard + Flow"	"Standard" features, plus indication of flow rate
"Standard + P3 + Flow"	"Standard" features, plus indication of pilot pressure and flow rate

Approvals

Company certified according to ISO 9001, ISO 22000 and PED 2014/68/EU Module H

CE-marked according to PED 2014/68/EU

Designed for Oxygen Service in accordance with EIGA 13/20 and CGA G-4.4: Oxygen Pipeline and Piping Systems

Cleaned for Oxygen Service in accordance with EIGA 33/18 and CGA G-4.1: Cleaning of Equipment for Oxygen Service

Optional

Analysed for Food Safety per HACCP-Analysis

Fulfils the requirements of EU Regulations (EC) 1935/2004, and (EC) 2023/2006

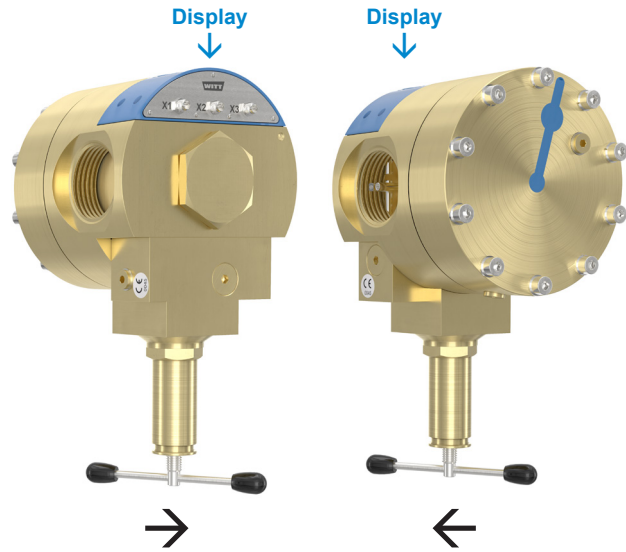
Fulfils the requirements of German Food and Feed (LFGB) Law, and is suitable for contact with food gases

DOME PRESSURE REGULATOR SET 757 LE/S SMART

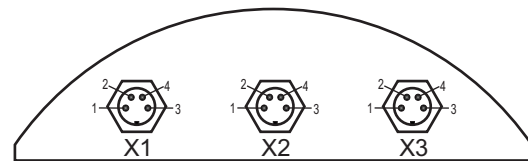
Technical data

	757LE/S Smart		
Max. inlet pressure	CO ₂ 25 bar 363 PSI	O ₂ 30 bar 435 PSI	other gases 40 bar 580 PSI
Outlet pressure	0.5 - 10 bar 7 - 145 PSI		
	0.5 - 16 bar 7 - 232 PSI	0.5 - 30 bar 7 - 435 PSI	0.5 - 30 bar 7 - 435 PSI
Connections	Flange DN 50/PN40 DIN EN 1092-1 G 2 female 2" NPT female		
Kv-Value	15		
Cv-Value	17.4		
Coefficient as per DIN EN ISO 7291	Coefficient of increase in pressure after closing R = 0.17 Coefficient of unevenness I = 0.01		
Temperature range	-30 °C to +50 °C -22 °F to +122 °F		
Housing	Brass		
Cartridge	Stainless steel (1.4305)		
Membrane	CR		
O-Ring	NBR		
Spring	Stainless steel (1.4310)		
Application	Non-flammable gases including O ₂ Flammable gases outside Ex Zone		
Power supply	24 V DC		
Protection class	IP 44		
Parameters / Accuracy	Temperature ± 2 °C Pressure approx. 1.5% current gas flow - upon request		
Interface	M12, 4-pin plug		
Signals	4 - 20 mA		
Weight	with flange approx. 26 kg / 57 lb without flange approx. 17 kg / 37 lb		

other materials / material combinations upon request



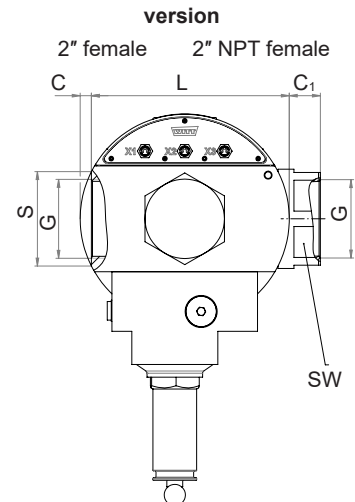
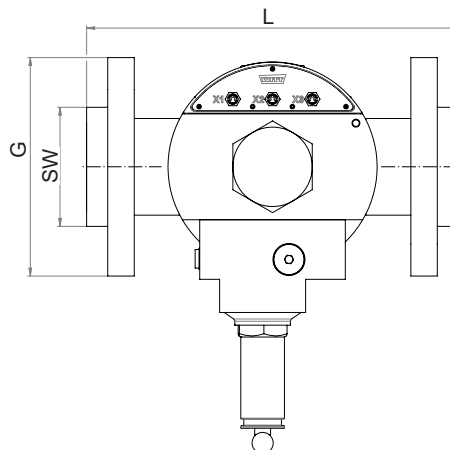
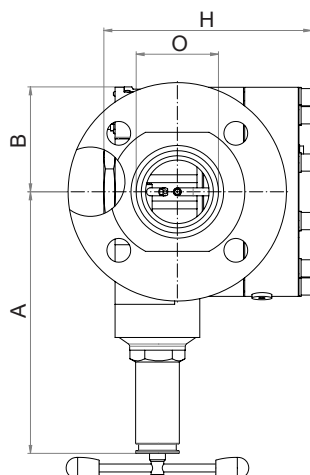
Installation position 757LE/S Smart



Connections	
X1	Temperature
X2	Communication
X3	Pressure

Model	Connection G	Dimensions in mm								
		A	B	C	C ₁	H	L	O (O-ring)	S	SW
757	2" female	198.2	79	8.5	-	approx. 158.5	141	-	77	-
	2" NPT female	198.2	79	8.5	32	approx. 158.5	205 (L+2xC ₁)	-	77	70
	DN 50/PN 40	198.2	79	8.5	-	approx. 158.5	281	64x3	77	90

other connections upon request



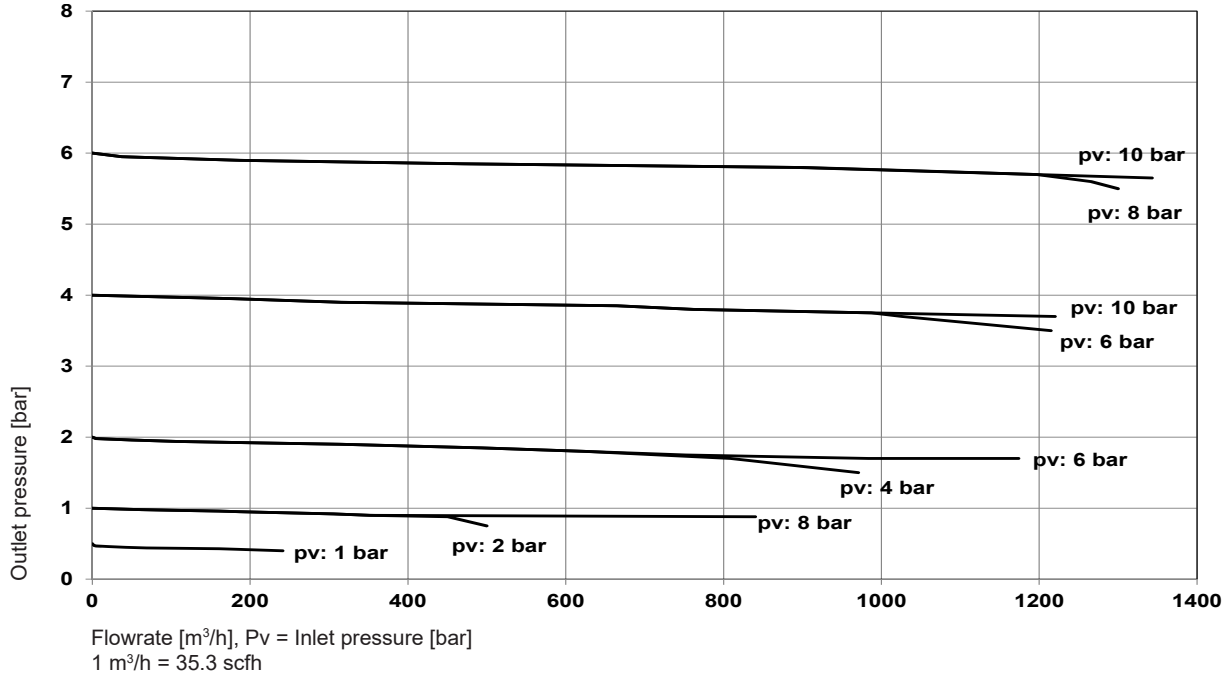
For more pressure regulators visit www.domepressureregulators.com

DOME PRESSURE REGULATOR SET 757 LE/S SMART

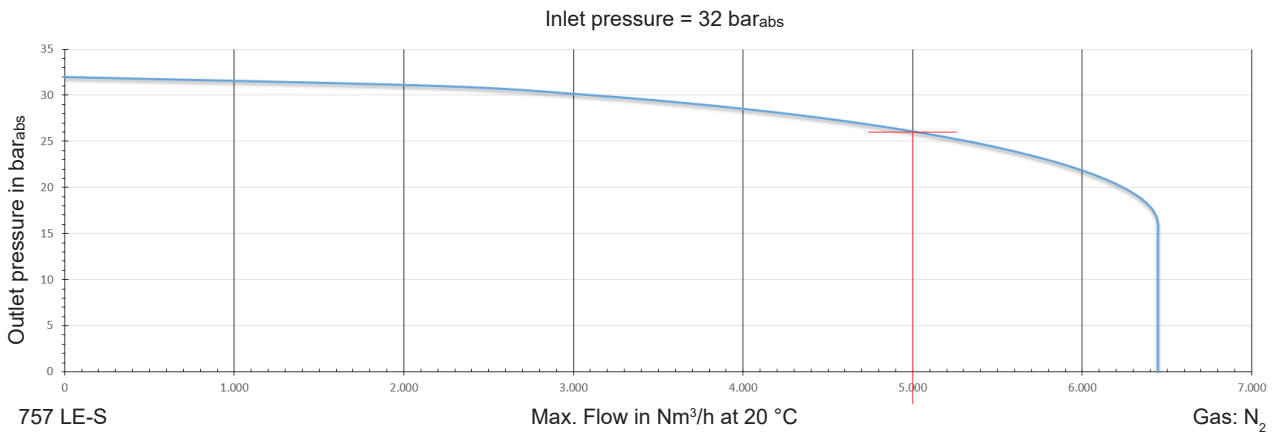
Pressure control performance



Pressure control performance examples (N₂, 20 °C : apply conversion factor of x 0.8 for CO₂)



Flow capacity “envelope”



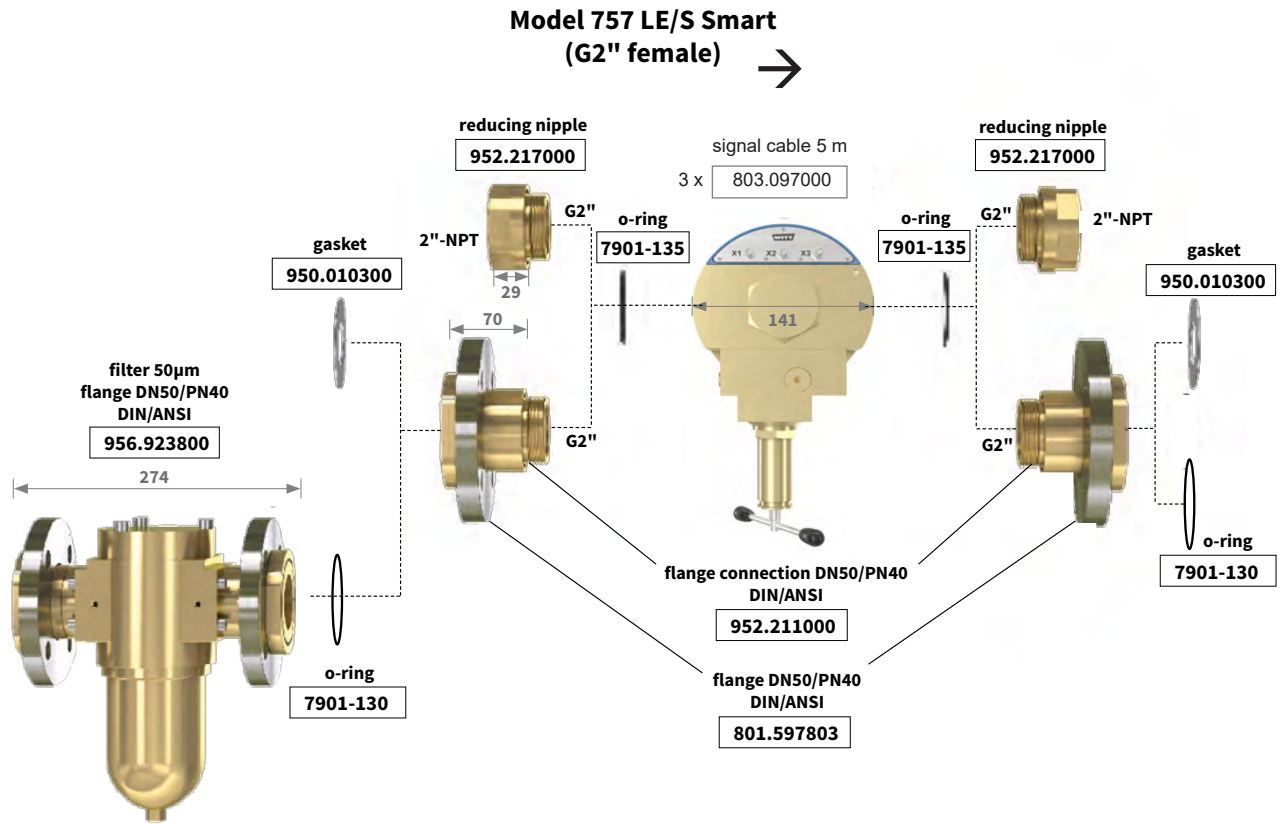
Example:

Inlet pressure: 32 bar_{abs}
 Outlet pressure: 26 bar_{abs}
 Max. Flow: 5 000 Nm³/h
 Gas: N₂

individual graphs with your parameters upon request

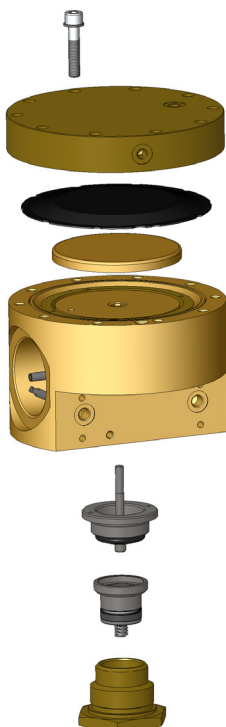
DOME PRESSURE REGULATOR SET 757 LE/S SMART

Connections and options



Maintenance Set	
Model	Order-No.
757LE/S	962.000065

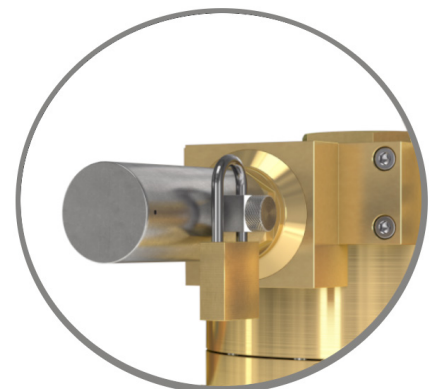
Lockable spindle cap	
Model	Order-No.
757LE/S	966.061400



Maintenance

Depending on application, moving wetted parts may need replacement every 1-3 years.

For this we offer our Maintenance Set with original spare parts.



The lockable spindle cap protects the dome pressure regulator from unauthorised or accidental adjustment.