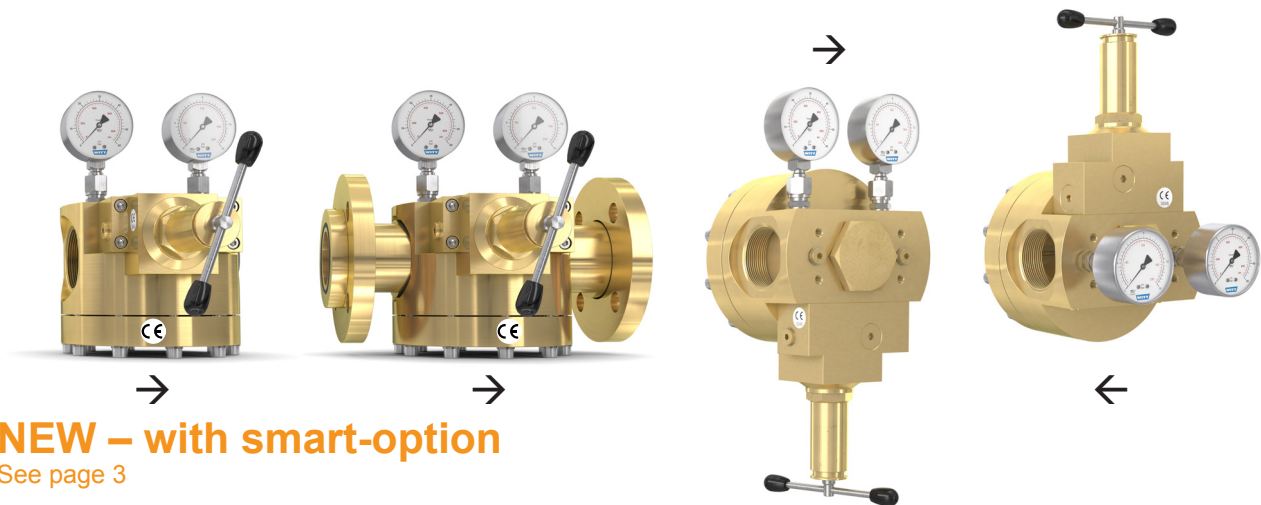


DOME PRESSURE REGULATOR SET 757 LE/S

Complete solution, own-medium controlled



NEW – with smart-option
See page 3

High performance dome-loaded pressure regulator set.
For high and varying flows requiring maximum pressure stability.

Features

- **Pilot Control Tube (PCT)**
One of the features enabling highly accurate control of outlet pressure
- **Balanced Seat Design (BSD)**
Further enabling control precision, high reliability and low maintenance
- **A complete solution, ready to use**
With integrated pilot pressure regulator, and stainless steel pressure gauges, completely assembled and tested
- **Own-medium controlled**
Enabling autonomous operation (no separate gas supply required)
- **Closed system**
Self-relieving design, but no gas is released to atmosphere
- **Simple to install and operate**
Removable spindle enables simple setting of the required outlet pressure
Can be positioned at any angle / orientation
For indoor and outdoor installation.
- Glycerine-filled manometer, unfilled version for oxygen

Operation / Usage

Ideal for process gas supply where pressure accuracy is required even when inlet pressures and flow rates are varying.

High flow rates and outlet pressure accuracy are achieved, even when the difference between inlet and outlet pressures is small.

Maintenance

Annual testing of body leak tightness is recommended. Depending on application, moving wetted parts may need periodic replacement.

Device-specific Repair-Kit available upon request.

Approvals

Company certified according to ISO 9001, ISO 22000 and PED 2014/68/EU Module H

CE-marked according to PED 2014/68/EU

ATEX 2014/34/EU with ignition hazard analysis according to EN 1127-1, DIN EN 13463-1 and ZH1/200

Analysed for Food Safety per HACCP-Analysis

Fulfils the requirements of EU Regulations (EC) 1935/2004, and (EC) 2023/2006

Fulfils the requirements of German Food and Feed (LFGB) Law, and is suitable for contact with food gases

Available upon request

Lockable spindle cap

Certificates and test reports

Other Dome types

Switchover systems / parallel supply systems

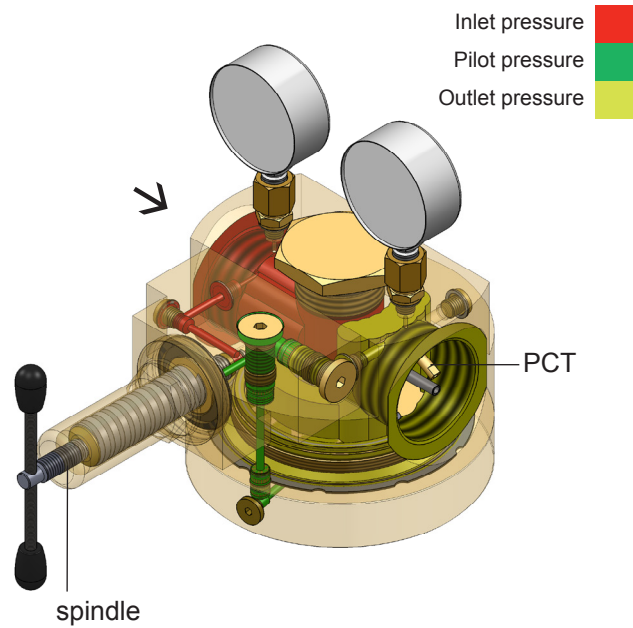
Customer-specific / customised versions

DOME PRESSURE REGULATOR SET 757 LE/S

Complete solution, own-medium controlled



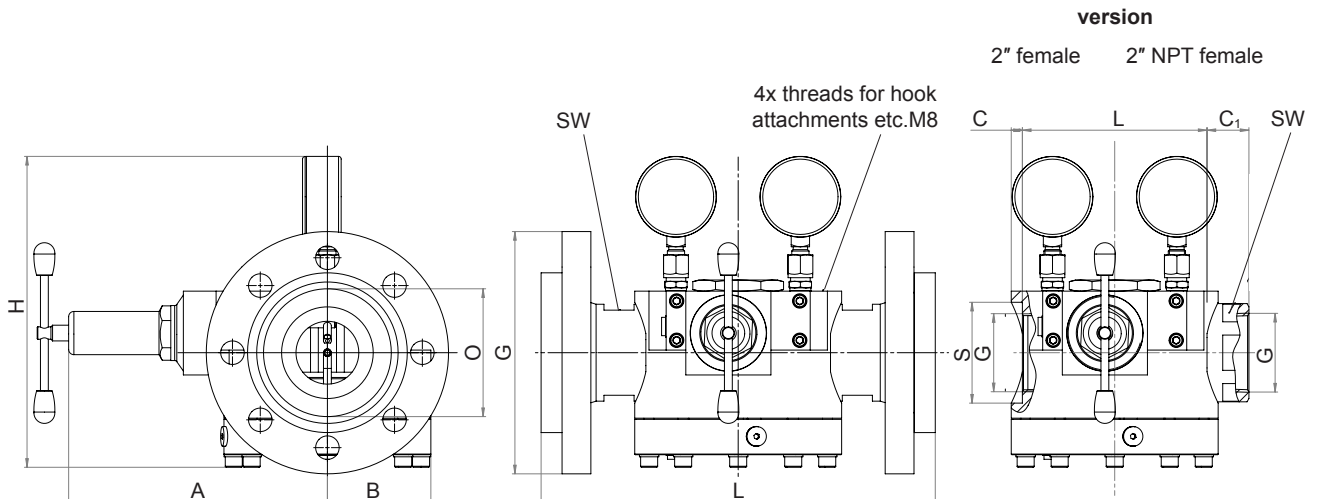
	Model		
	757LE/S		
Max. inlet pressure	CO ₂ 25 bar 363 PSI	O ₂ 30 bar 435 PSI	other gases 40 bar 580 PSI
Outlet pressure	0.5 - 10 bar 7 - 145 PSI		
	0.5 - 16 bar 7 - 232 PSI	0.5 - 30 bar 7 - 435 PSI	0.5 - 30 bar 7 - 435 PSI
Connections	Flange DN 50/PN40 DIN EN 1092-1 G 2 female 2" NPT female		
Kv-Value	15		
Cv-Value	17.4		
Coefficient as per DIN EN ISO 7291	Coefficient of increase in pressure after closing R = 0.27		
	Coefficient of unevenness I = 0.32		
Temperature range	-30 °C to +50 °C -22 °F to +122 °F		
Housing	Brass		
Cartridge	Stainless steel (1.4305)		
Membrane	CR		
O-Ring	NBR		
Spring	Stainless steel (1.4310)		
Pressure gauge	Stainless steel housing DIN EN ISO 5171 for O ₂ , DIN EN 837-1 glycerine-filled for other gases		
Weight approx.	with flange approx. 26 kg / 57 lb without flange approx. 17 kg / 37 lb		



other materials / material combinations upon request

Model	Connection G	Dimensions in mm							
		A	B	C	H	L	O (O-ring)	S	SW
757	2" female	197.6	79	8.5	approx. 237	141	-	77	-
	2" NPT female	197.6	79	8.5	approx. 237	205 (L+2xC ₁)	-	77	70
	DN 50/PN 40	197.6	79	8.5	approx. 237	281	62	77	90

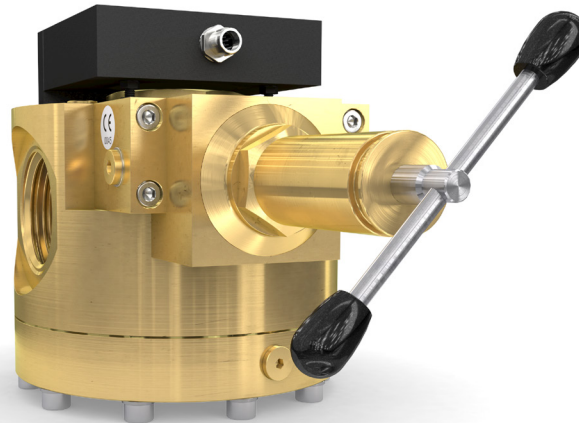
other connections upon request



For more pressure regulators visit www.domepressureregulators.com

DOMES PRESSURE REGULATOR

with smart-option



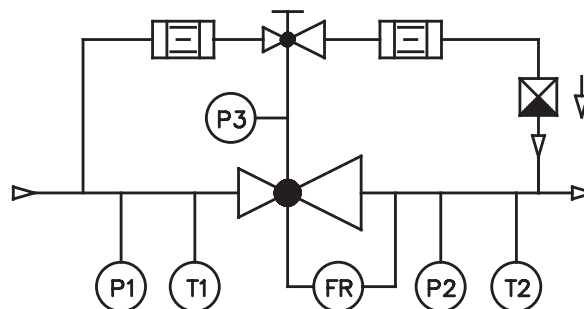
Top quality valves combined with high-tech sensors and electronic components – that’s the smart-option from WITT.

	Model
	757LE/S - with smart-option
Gases	non-flammable gases
Power supply	24 V DC
Protection class	IP 67
Parameters / Accuracy	Temperature ± 2 °C, Pressure $\pm 0.7\%$ end value 100 bar, current gas flow - upon request
Interface	M12, 12-pin plug
Signals	4 - 20 mA
Weight	with flange approx. 26 kg without flange approx. 17 kg

other materials / material combinations upon request

Smart functions of dome pressure regulator

- measurement of inlet, outlet and pilot pressure
- measurement of inlet and outlet gas temperature
- calculation of current gas flow
- digital display (option)
- analogue 4 – 20 mA signals

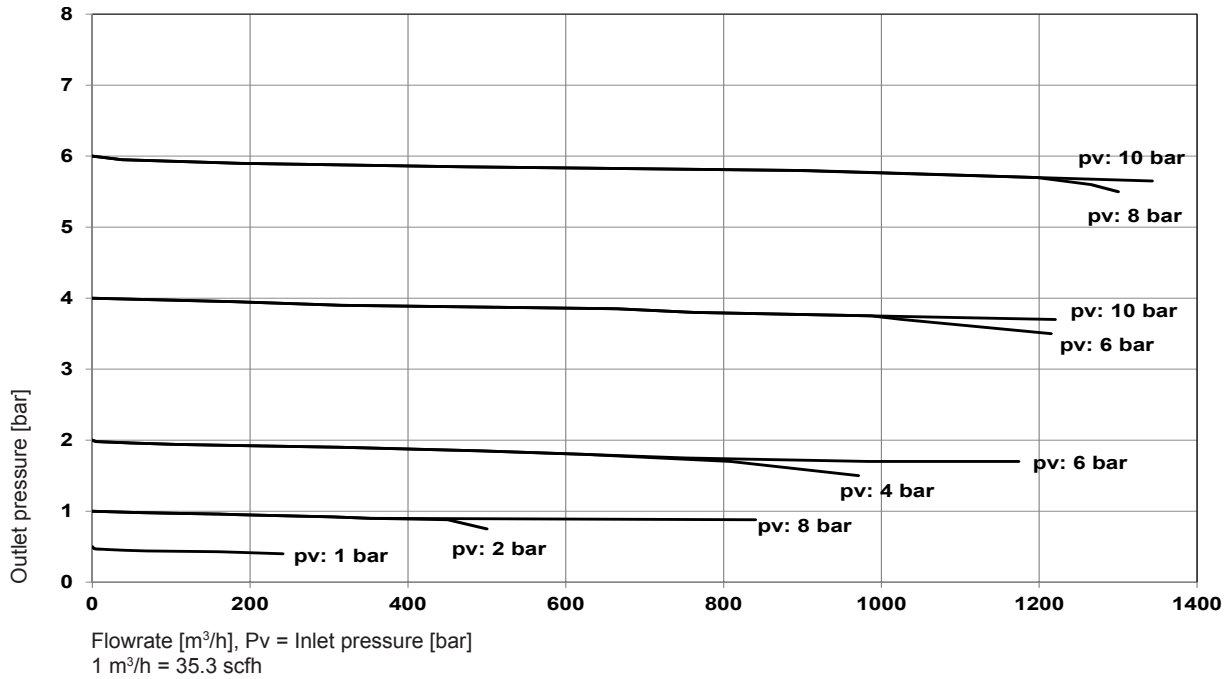


DOME PRESSURE REGULATOR SET 757 LE/S

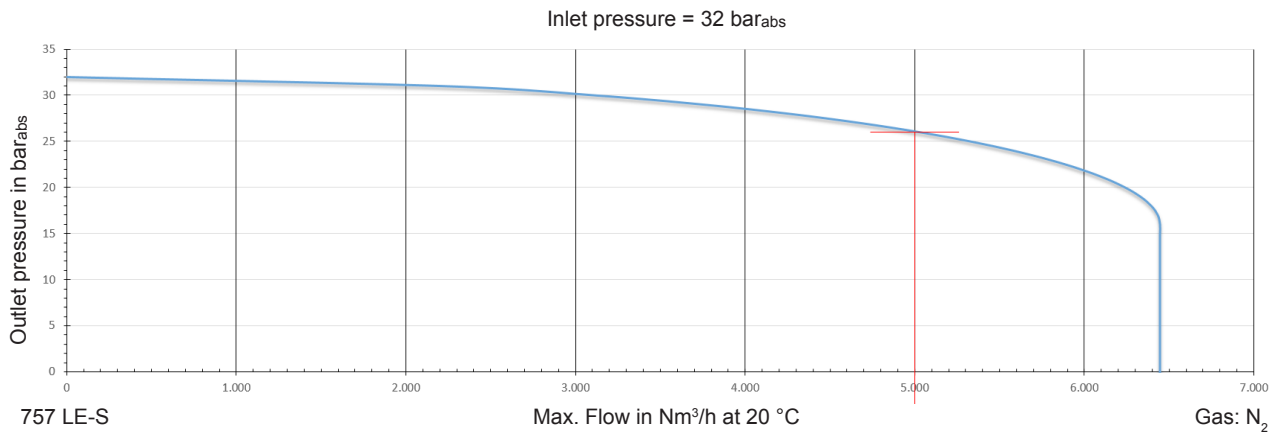
Complete solution, own-medium controlled



Pressure control performance examples (N₂, 20 °C : apply conversion factor of x 0.8 for CO₂)



Flow capacity “envelope”



Example:

Inlet pressure: 32 bar_{abs}
 Outlet pressure: 26 bar_{abs}
 Max. Flow: 5,000 Nm³/h
 Gas: N₂

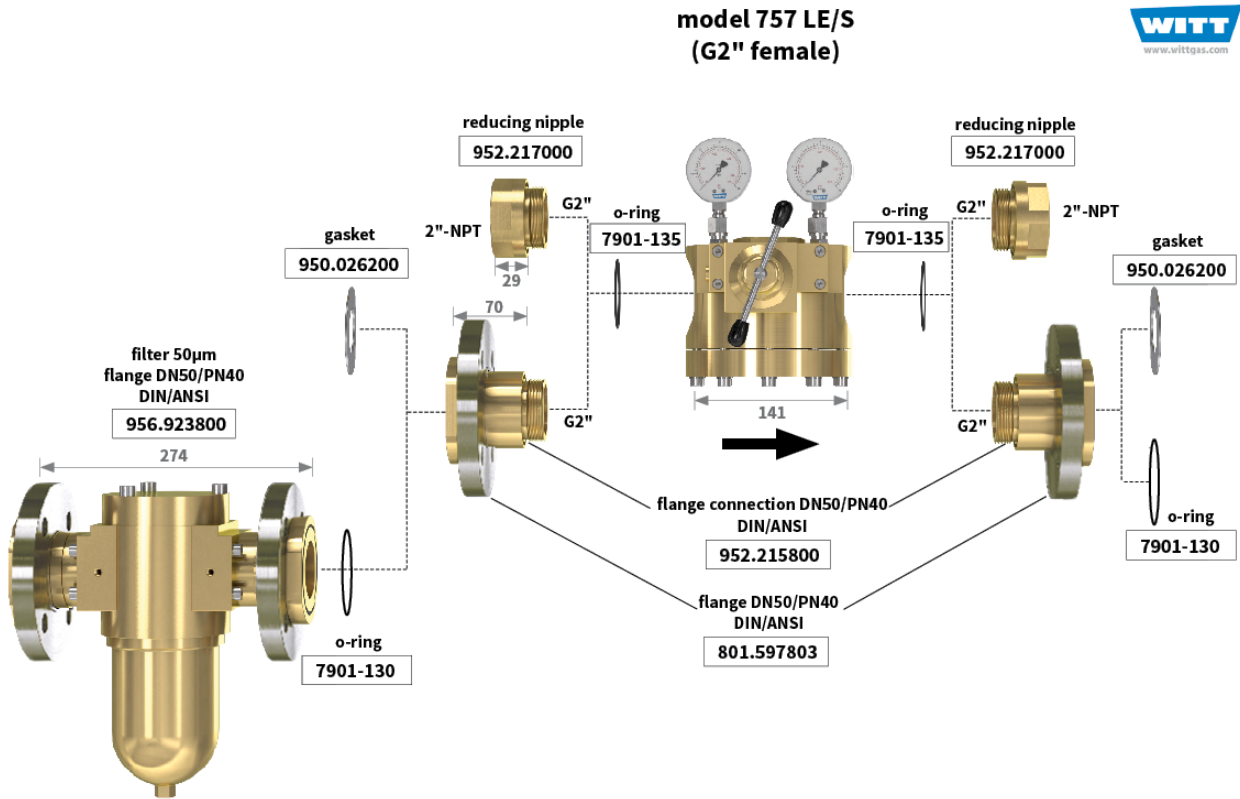
individual graphs with your parameters upon request

DOME PRESSURE REGULATOR SET 757 LE/S

Complete solution, own-medium controlled

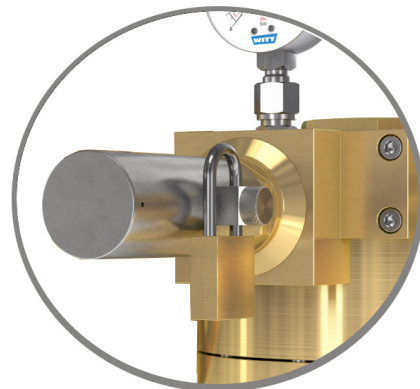
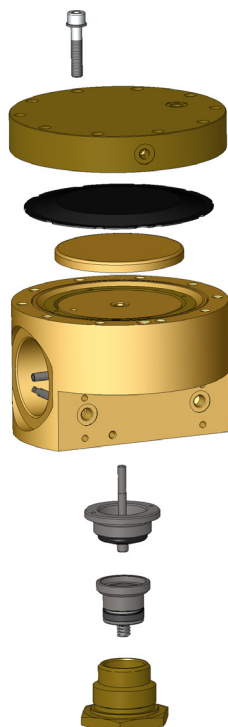


Connection combinations



Repair-Kit	
Model	Order-No.
757LE/S	962.000065

lockable spindle cap	
Model	Order-No.
757LE/S	966.061400



DR2.1 - B02/G8 subject to change